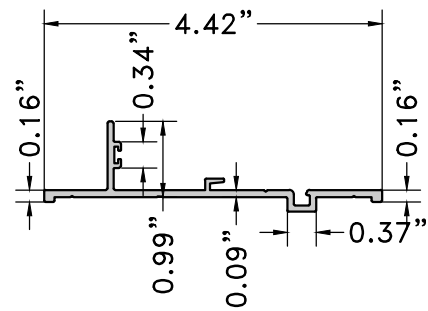


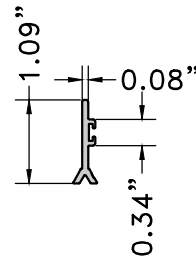
**1 FRAME HEAD, JAMB & MULLION**

MARCO7101



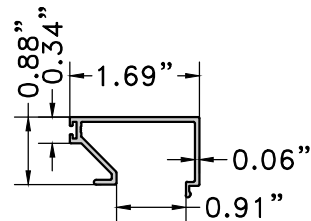
**2 MULLION INSERT**

TAPA7102



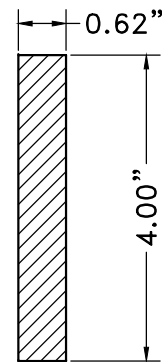
**3 GLAZING ADAPTER FIXED PANEL**

ADAPT7005



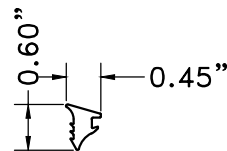
**4 FIXED PANEL GLAZING BEAD LAMINATED GLASS**

PISAV7010

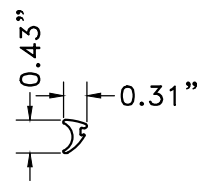


**6 5/8\"/>**

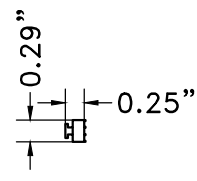
REINFORCEMENT



**7 WEDGE GASKET**

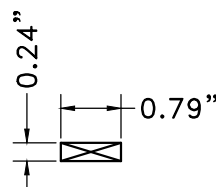


**8 WEDGE GASKET**



**9 SOLID RUBBER GASKET**

SAP 4002139



**12 SETTING BLOCK**

12

**COMPONENTS**

SCALE: N.T.S

BILL OF MATERIALS			
COMPONENT	DESCRIPTION	DIMENSIONS/REMARKS	MATERIAL
1	FRAME HEAD, JAMB, SILL & MULLION	SEE COMPONENT DETAIL	6063-T6
2	MULLION INSERT	SEE COMPONENT DETAIL	6063-T6
3	GLAZING ADAPTER FIXED PANEL	SEE COMPONENT DETAIL	6063-T6
4	FIXED PANEL GLAZING LAMINATED GLASS	SEE COMPONENT DETAIL	6063-T6
6	5/8" ALUMINUM REINFORCEMENT	SEE COMPONENT DETAIL	6063-T6
7	WEDGE GASKET	(FOR 7/16" LAMINATED GLASS) SEE SHEET 2, 3" LONG, LOCATED @ 12 @8"(MIN.) O.C & 18" (MAX.) O.C	EPDM
8	WEDGE GASKET	(FOR 9/16" LAMINATED & 1 3/16" INSULATED GLASS) SEE SHEET 2, 3" LONG, LOCATED @ 12 @8"(MIN.) O.C & 18" (MAX.) O.C	EPDM
9	SOLID RUBBER GASKET	SEE SHEET 2, 3" LONG, LOCATED @ 12 @ 8" (MIN.) O.C & 18" (MAX.) O.C	NEOPRENE/NYLON
10	#14 x 1/2" F.H S.S. TEK SCREW	MULLION INSERT CONNECTION (5" start & 9" max o.c)	STEEL
11	#14 x 2 1/2" F.H SCREW	FRAME ASSEMBLY (SEE DETAIL 1 ON SHEET 10)	STEEL
12	SETTING BLOCK	0.122"x0.5" (ULTRAFAB)	E.P.D.M.
13	STRUCTURAL SILICONE DOW CORNING 983	ALL AROUND GLASS SAP 4002537-4002538	SILICONE
14	NON STRUCTURAL SILICONE DOW CORNING CONTRACTORS CONCRETE SEALANT (CCS)	AS SHOWN	SILICONE
16	1/4"Ø ULTRACON ANCHOR H.H	BY ELCO CONSTRUCTION PRODUCTS W/ 1 1/2"MIN EMBDM. INTO WOOD (G=0.55) W/3"MIN. SPACING & 1"MIN. E.D	CARBON STEEL

P.E. SEAL/SIGNATURE/DATE

**FLORIDA BUILDING CODE (HIGH VELOCITY HURRICANE ZONE)**

© 2025 TILTECO, INC.



TILLIT TESTING & ENGINEERING COMPANY  
 6355 N.W. 36th. St., Ste. 305, VIRGINIA GARDENS, FL 33166  
 Phone : (305)871-1530 . Fax : (305)871-1531  
 CA-0006719  
 WALTER A. TILLIT Jr. P.E.  
 FLORIDA Lic. # 44167

TESTING PROTOCOL FOR STOREFRONT HIGH IMPACT SERIES 200

W.H  
DRAWN BY:

**VITRALUX WINDOWS**  
 KM 5.6 VIA PALMIRA  
 TIENDA NUEVA  
 PALMIRA, COLOMBIA.

04/10/2025  
DATE:

**25-041**

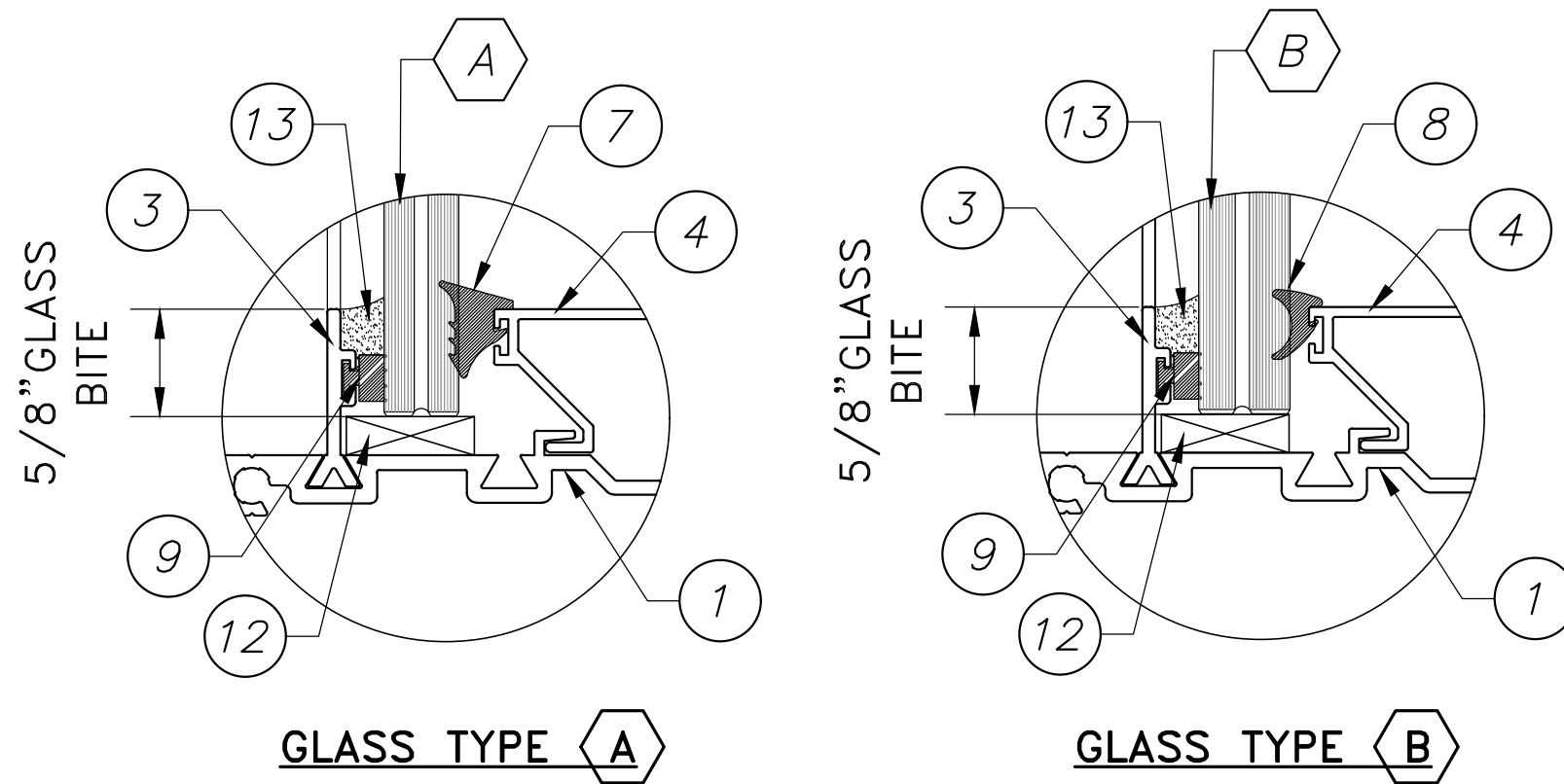
DRAWING No.

REV. NO	DESCRIPTION	DATE	REV. No	DESCRIPTION	DATE
1	GENERAL	6/9/25	3	-	-
2	10 & 11 DETAIL	8/11/25	4	-	-

SHEET 1 OF 10

## BILL OF MATERIALS AT STOREFRONT (CONT'D)

COMPONENT #	DESCRIPTION	MATERIAL
A	7/16" NOMINAL LAMINATED GLASS W/ 3/16" H.S. GLASS + 0.090" TROSIFOL PVB INTERLAYER BY KURARAY AMERICA, INC. + 3/16" H.S. GLASS.	GLASS
B	9/16" NOMINAL LAMINATED GLASS W/ 1/4" H.S. GLASS + 0.090" SGP INTERLAYER BY KURARAY AMERICA, INC. + 1/4" H.S. GLASS.	GLASS

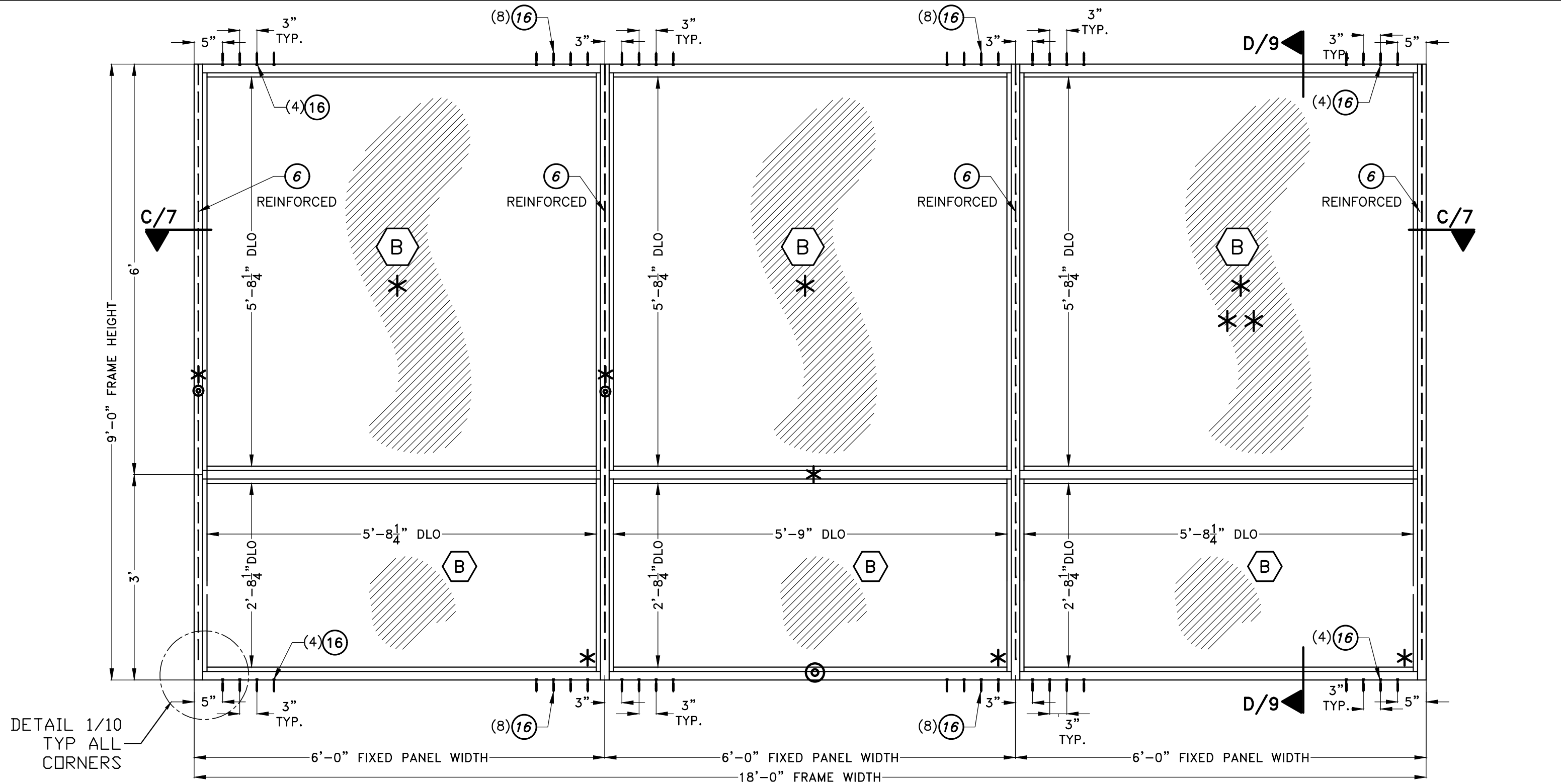


## GLAZING DETAILS

SCALE: N.T.S

<b>FLORIDA BUILDING CODE (HIGH VELOCITY HURRICANE ZONE)</b>					
© 2025 TILTECO, INC.			<b>TESTING PROTOCOL FOR STOREFRONT HIGH IMPACT SERIES 200</b>		W.H DRAWN BY:
 <b>TILTECO Inc.</b> TILLIT TESTING & ENGINEERING COMPANY 6355 N.W. 36th. St., Ste. 305, VIRGINIA GARDENS, FL 33166 Phone : (305)871-1530 . Fax : (305)871-1531 CA-0006719 WALTER A. TILLIT Jr. P.E. FLORIDA Lic. # 44167			<b>VITRALUX WINDOWS</b> KM 5.6 VIA PALMIRA TIENDA NUEVA PALMIRA, COLOMBIA.		04/10/2025 DATE:
					<b>25-041</b>
					DRAWING No.
P.E. SEAL/SIGNATURE/DATE			REV. NO	DESCRIPTION	DATE
	1	GENERAL	6/9/25	3	-
	2	(19) & (11) DETAIL	8/11/25	4	-
					SHEET 2 of 10





DETAIL 1/10  
TYP ALL  
CORNERS

\* IMPACT LOCATIONS FOR TAS 201  
 \*\* IMPACT LOCATIONS FOR ANSI Z97.1 (F.B.C. SECTION 1618.4.6.3)  
 © DEFLECTION GAGES

ASD DESIGN LOAD: +66.0, -66.0 psf.  
 TAS 202 (STRUCTURAL ONLY), FOLLOWED BY TAS 201 & TAS 203

**SPECIMEN #2**  
**(EXTERIOR ELEVATION)**  
 SCALE: N.T.S

\_\_\_\_\_  
 P.E. SEAL/SIGNATURE/DATE

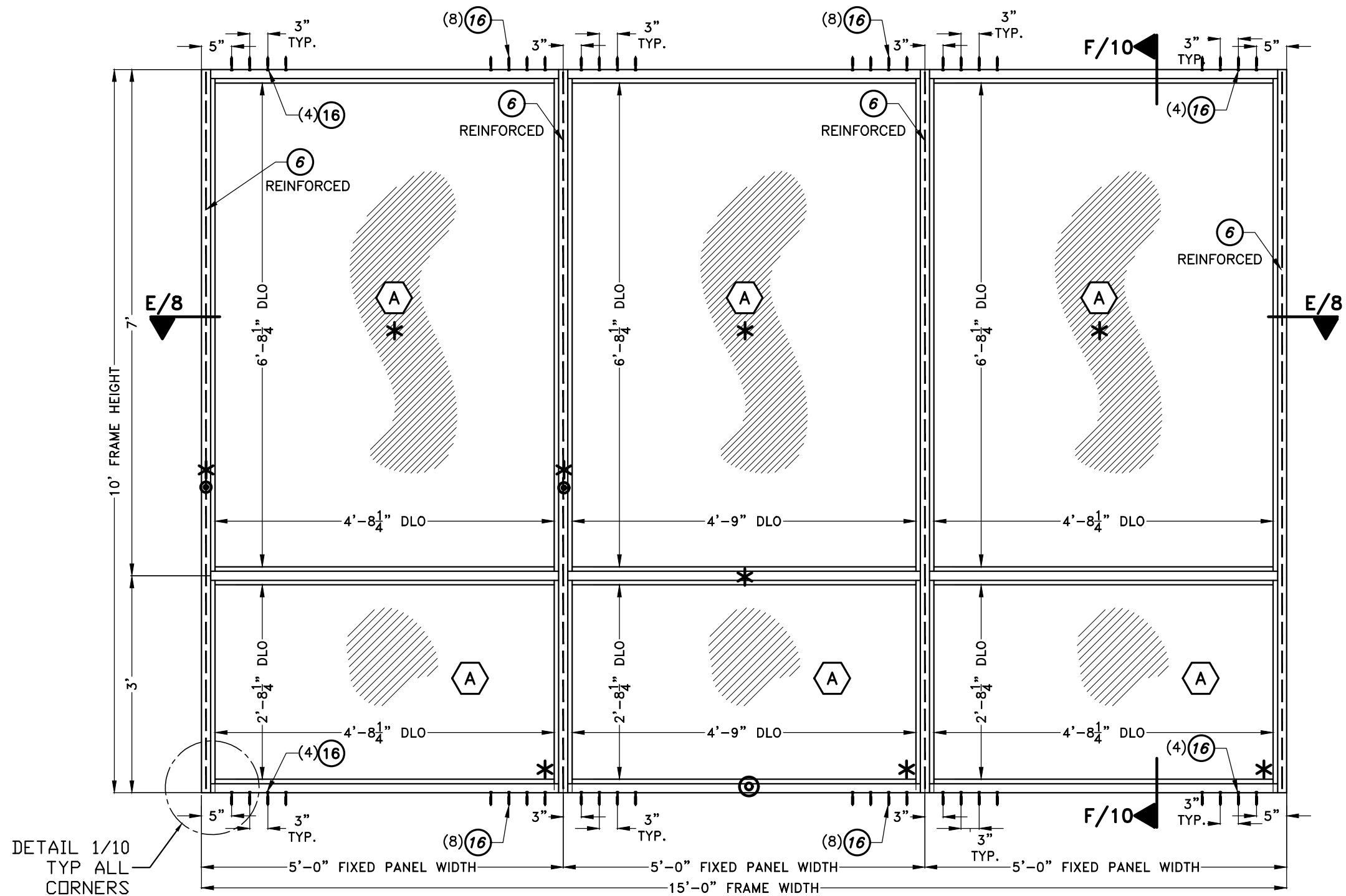
**FLORIDA BUILDING CODE (HIGH VELOCITY HURRICANE ZONE)**

© 2025 TILTECO, INC.

TILLIT TESTING & ENGINEERING COMPANY  
 6355 N.W. 36th. St., Ste. 305, VIRGINIA GARDENS, FL 33166  
 Phone : (305)871-1530 . Fax : (305)871-1531  
 CA-0006719  
 WALTER A. TILLIT Jr. P.E.  
 FLORIDA Lic. # 44167

TESTING PROTOCOL FOR STOREFRONT HIGH IMPACT SERIES 200			W.H DRAWN BY:		
VITRALUX WINDOWS KM 5.6 VIA PALMIRA TIENDA NUEVA PALMIRA, COLOMBIA.			04/10/2025 DATE:		
			25-041 DRAWING No.		
REV. NO	DESCRIPTION	DATE	REV. No	DESCRIPTION	DATE
1	GENERAL	6/9/25	3	-	-
2	(19 & 11) DETAIL	8/11/25	4	-	-

SHEET 4 of 10



**SPECIMEN #3**  
**(EXTERIOR ELEVATION)**

SCALE: N.T.S

\* IMPACT LOCATIONS FOR TAS 201  
 ◎ DEFLECTION GAGES

ASD DESIGN LOAD: +48.0, -48.0 psf.  
 TAS 202 (STRUCTURAL ONLY), FOLLOWED BY TAS 201 & TAS 203

\_\_\_\_\_  
 P.E. SEAL/SIGNATURE/DATE

**FLORIDA BUILDING CODE (HIGH VELOCITY HURRICANE ZONE)**

© 2025 TILTECO, INC.



TILLIT TESTING & ENGINEERING COMPANY  
 6355 N.W. 36th. St., Ste. 305, VIRGINIA GARDENS, FL 33166  
 Phone : (305)871-1530 . Fax : (305)871-1531  
 CA-0006719  
 WALTER A. TILLIT Jr. P.E.  
 FLORIDA Lic. # 44167

TESTING PROTOCOL FOR STOREFRONT  
 HIGH IMPACT SERIES 200

**VITRALUX WINDOWS**  
 KM 5.6 VIA PALMIRA  
 TIENDA NUEVA  
 PALMIRA, COLOMBIA.

REV. NO	DESCRIPTION	DATE	REV. No	DESCRIPTION	DATE
1	GENERAL	6/9/25	3	-	-
2	(19) & (11) DETAIL	8/11/25	4	-	-

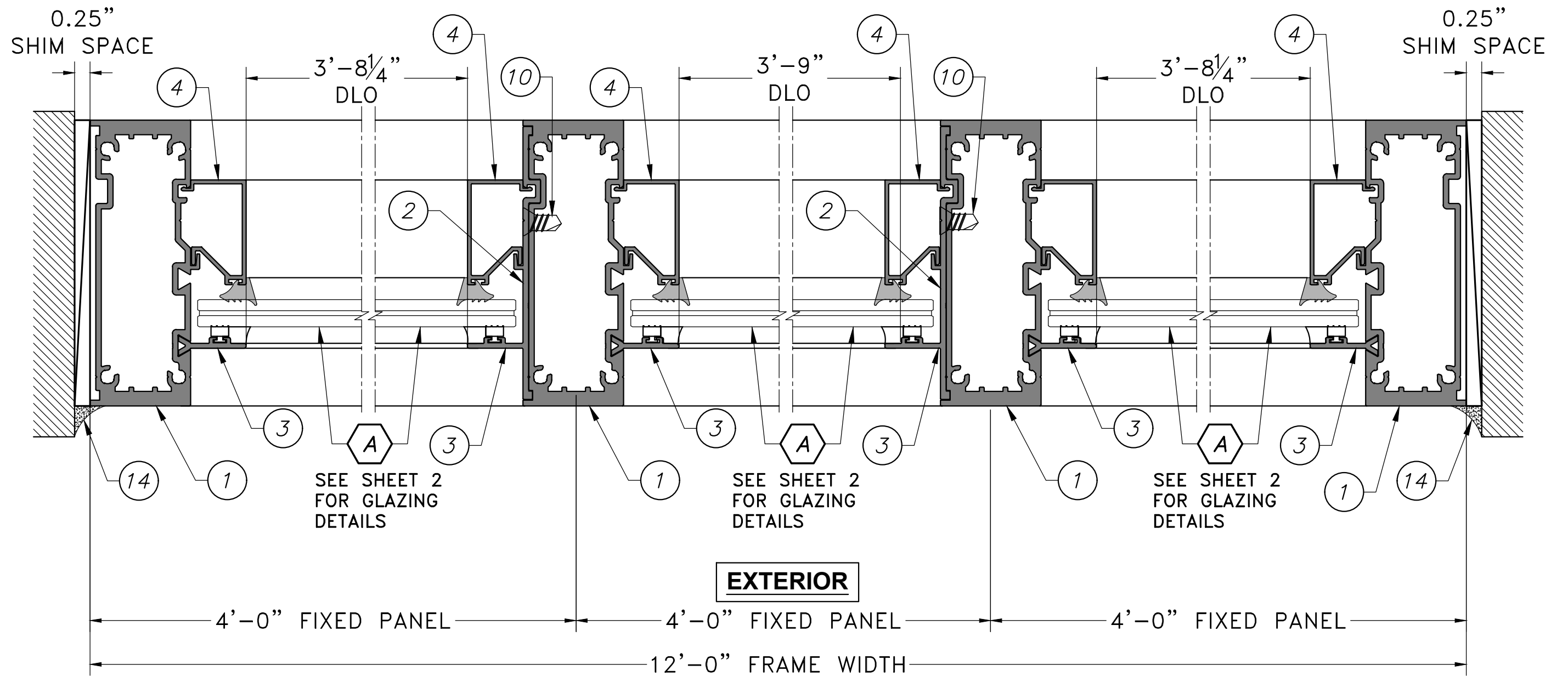
W.H  
 DRAWN BY:

04/10/2025  
 DATE:

**25-041**

DRAWING No.

SHEET 5 of 10



# SECTION A-A (SPECIMEN #1)

SCALE: N.T.S

\_\_\_\_\_  
P.E. SEAL/SIGNATURE/DATE

**FLORIDA BUILDING CODE (HIGH VELOCITY HURRICANE ZONE)**

© 2025 TILTECO, INC.



TILLIT TESTING & ENGINEERING COMPANY  
6355 N.W. 36th. St., Ste. 305, VIRGINIA GARDENS, FL 33166  
Phone : (305)871-1530 . Fax : (305)871-1531  
CA-0006719  
WALTER A. TILLIT Jr. P.E.  
FLORIDA Lic. # 44167

TESTING PROTOCOL FOR STOREFRONT  
HIGH IMPACT SERIES 200

W.H  
DRAWN BY:

**VITRALUX WINDOWS**  
KM 5.6 VIA PALMIRA  
TIENDA NUEVA  
PALMIRA, COLOMBIA.

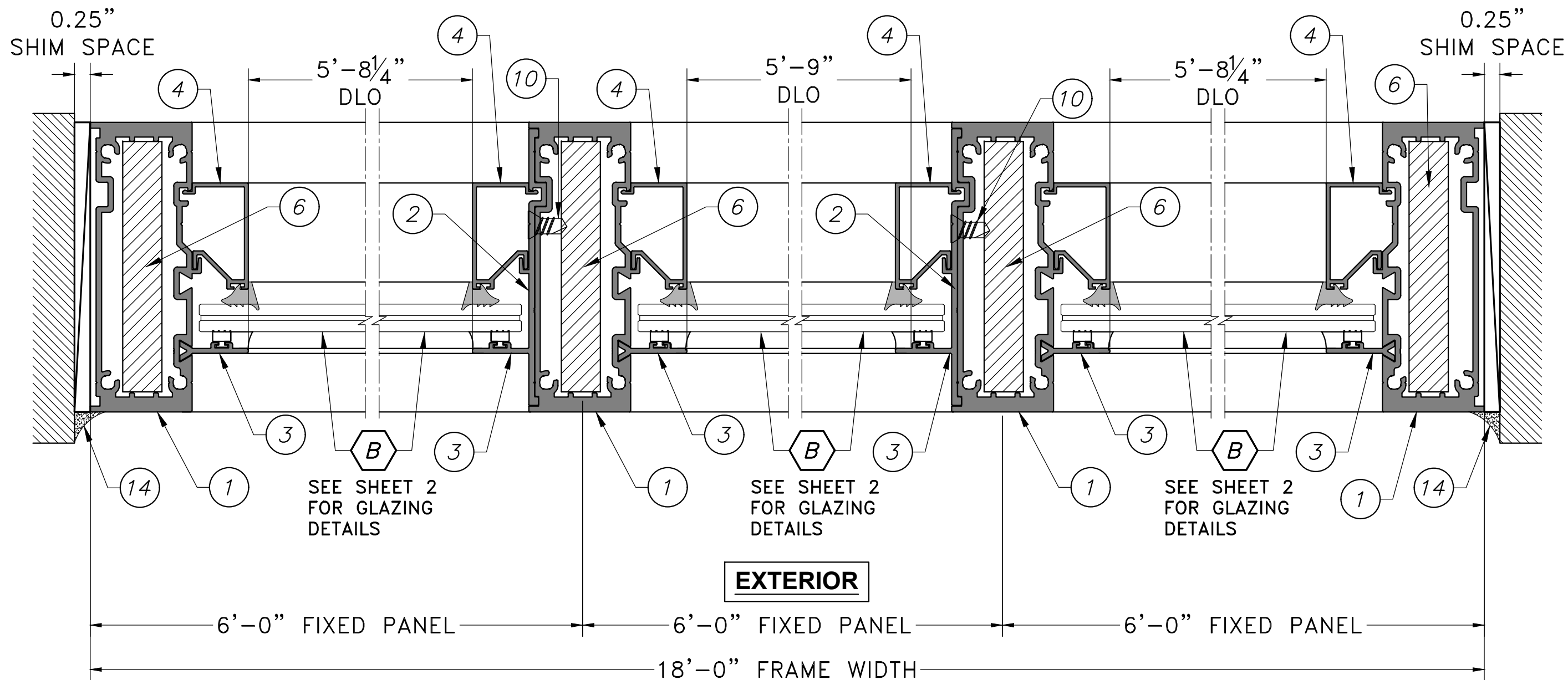
04/10/2025  
DATE:

**25-041**

DRAWING No.

REV. NO	DESCRIPTION	DATE	REV. No	DESCRIPTION	DATE
1	GENERAL	6/9/25	3	-	-
2	(19) & (11) DETAIL	8/11/25	4	-	-

SHEET 6 OF 10



# SECTION C-C (SPECIMEN #2)

SCALE: N.T.S

\_\_\_\_\_  
P.E. SEAL/SIGNATURE/DATE

**FLORIDA BUILDING CODE (HIGH VELOCITY HURRICANE ZONE)**

© 2025 TILTECO, INC.



TILLIT TESTING & ENGINEERING COMPANY  
6355 N.W. 36th. St., Ste. 305, VIRGINIA GARDENS, FL 33166  
Phone : (305)871-1530 . Fax : (305)871-1531  
CA-0006719  
WALTER A. TILLIT Jr. P.E.  
FLORIDA Lic. # 44167

TESTING PROTOCOL FOR STOREFRONT  
HIGH IMPACT SERIES 200

W.H  
DRAWN BY:

**VITRALUX WINDOWS**  
KM 5.6 VIA PALMIRA  
TIENDA NUEVA  
PALMIRA, COLOMBIA.

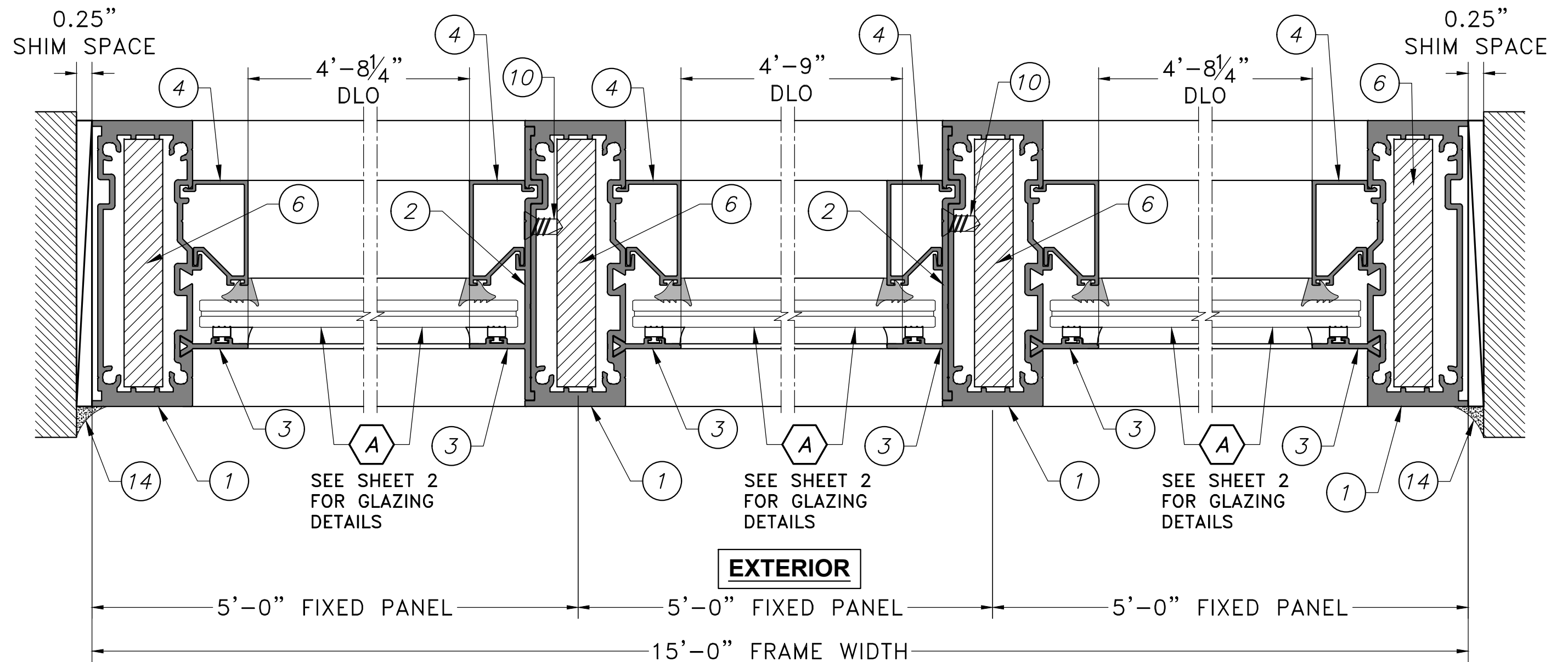
04/10/2025  
DATE:

**25-041**

DRAWING No.

REV. NO	DESCRIPTION	DATE	REV. No	DESCRIPTION	DATE
1	GENERAL	6/9/25	3	-	-
2	(19) & (11) DETAIL	8/11/25	4	-	-

SHEET 7 of 10



# SECTION E-E (SPECIMEN #3)

SCALE: N.T.S

\_\_\_\_\_  
P.E. SEAL/SIGNATURE/DATE

**FLORIDA BUILDING CODE (HIGH VELOCITY HURRICANE ZONE)**

© 2025 TILTECO, INC.



TILLIT TESTING & ENGINEERING COMPANY  
6355 N.W. 36th. St., Ste. 305, VIRGINIA GARDENS, FL 33166  
Phone : (305)871-1530 . Fax : (305)871-1531  
CA-0006719  
WALTER A. TILLIT Jr. P.E.  
FLORIDA Lic. # 44167

TESTING PROTOCOL FOR STOREFRONT  
HIGH IMPACT SERIES 200

W.H  
DRAWN BY:

**VITRALUX WINDOWS**  
KM 5.6 VIA PALMIRA  
TIENDA NUEVA  
PALMIRA, COLOMBIA.

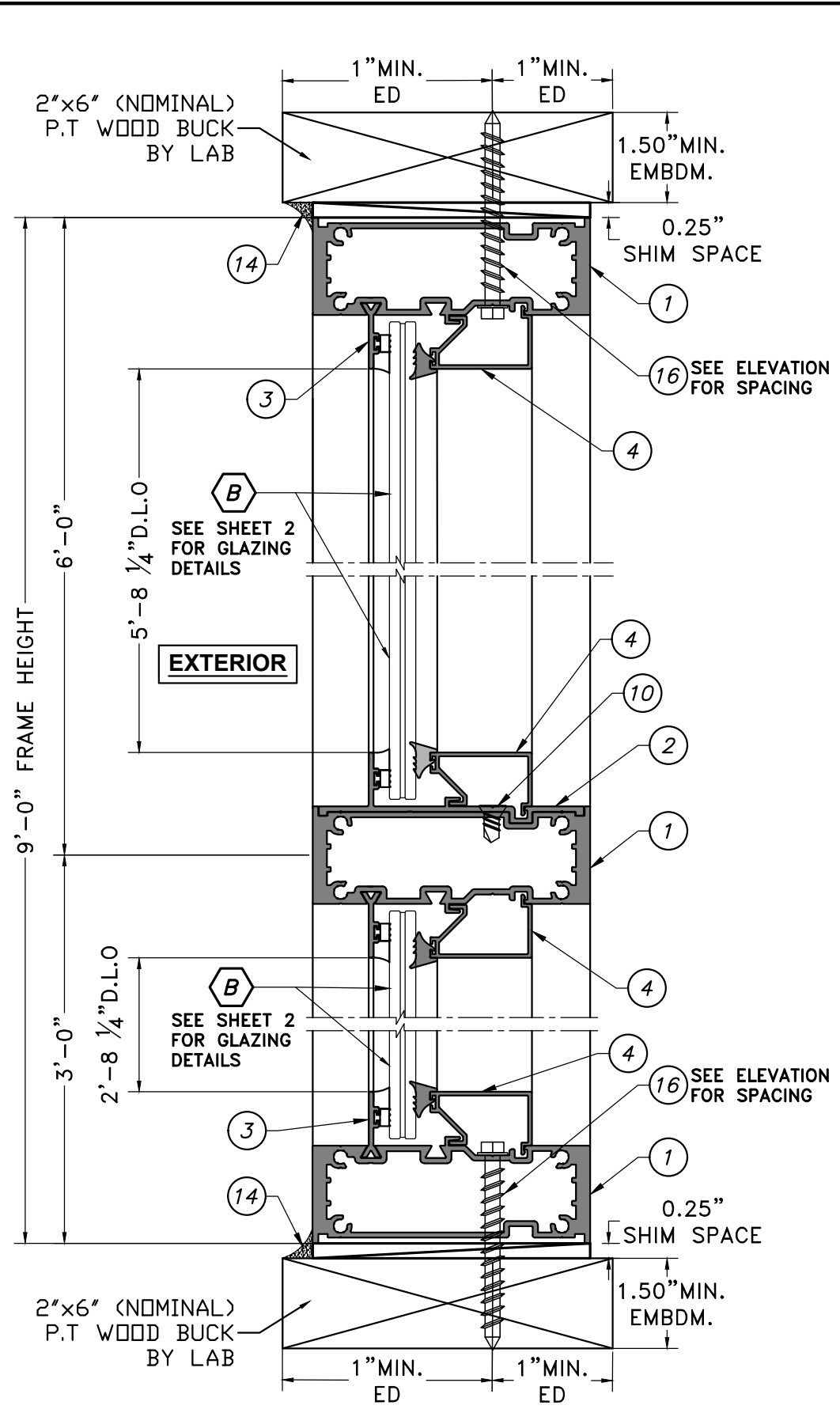
04/10/2025  
DATE:

**25-041**

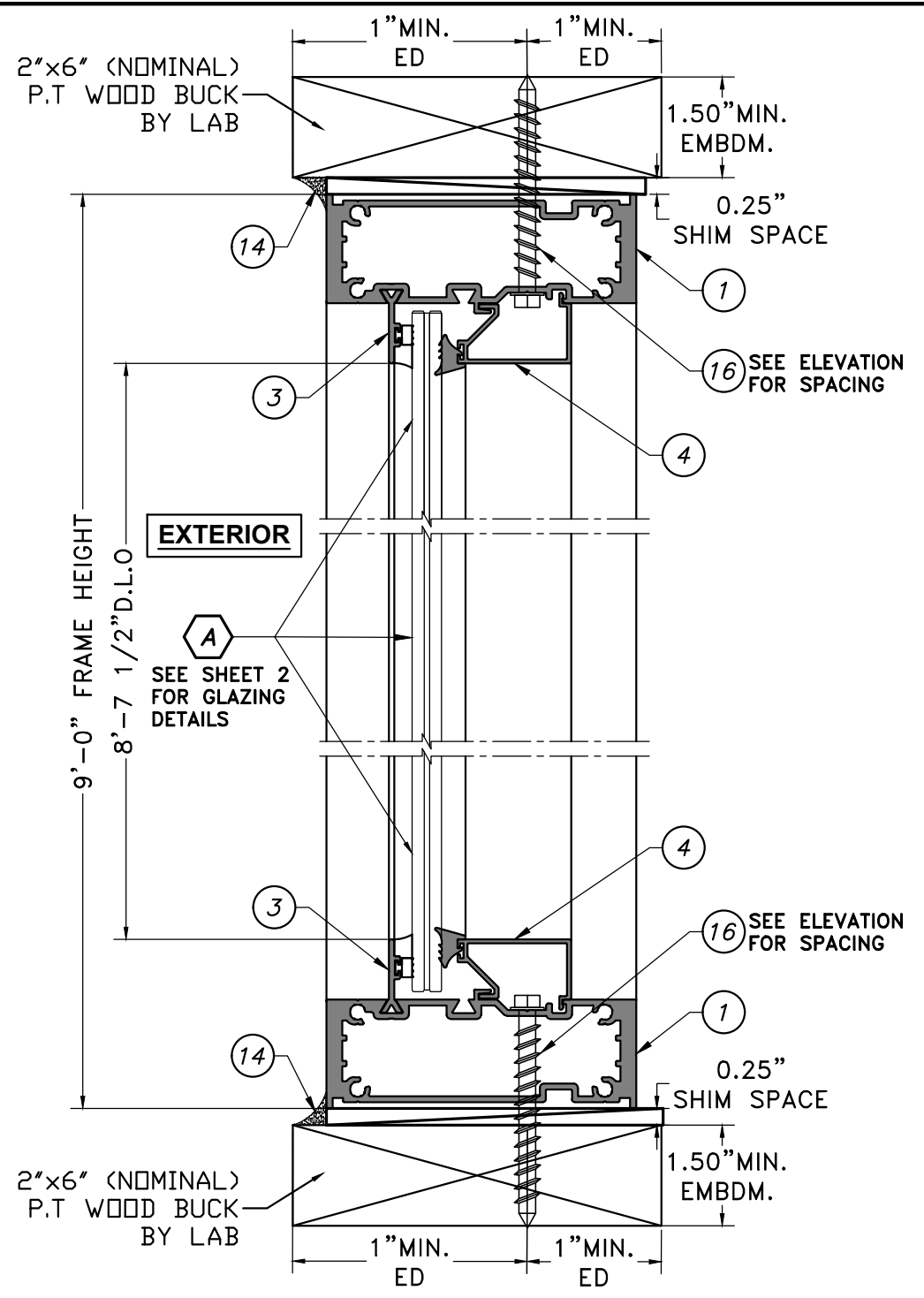
DRAWING No.

REV. NO	DESCRIPTION	DATE	REV. No	DESCRIPTION	DATE
1	GENERAL	6/9/25	3	-	-
2	(19) & (11) DETAIL	8/11/25	4	-	-

SHEET 8 of 10



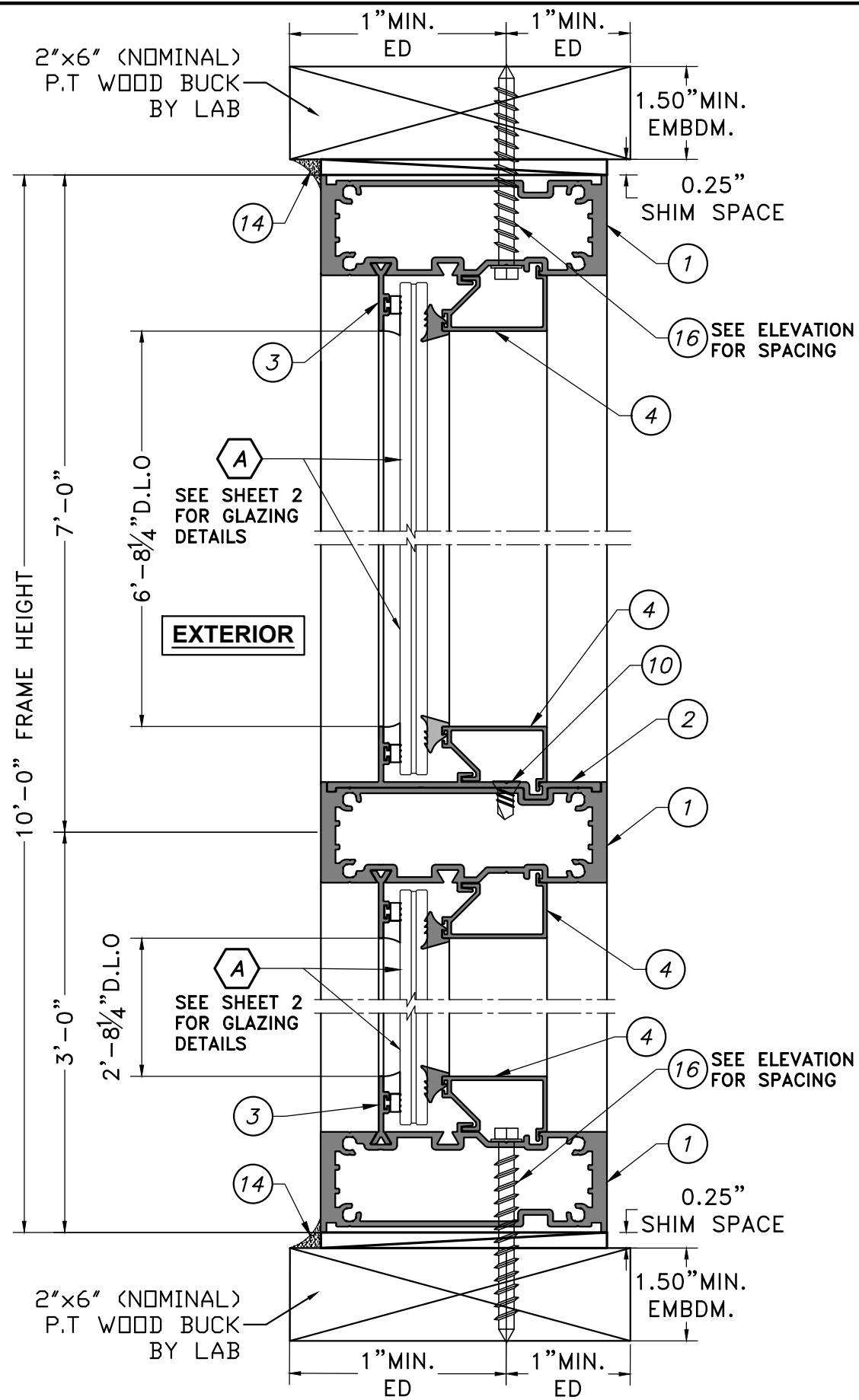
**SECTION D-D (SPECIMEN #2)**  
SCALE: N.T.S



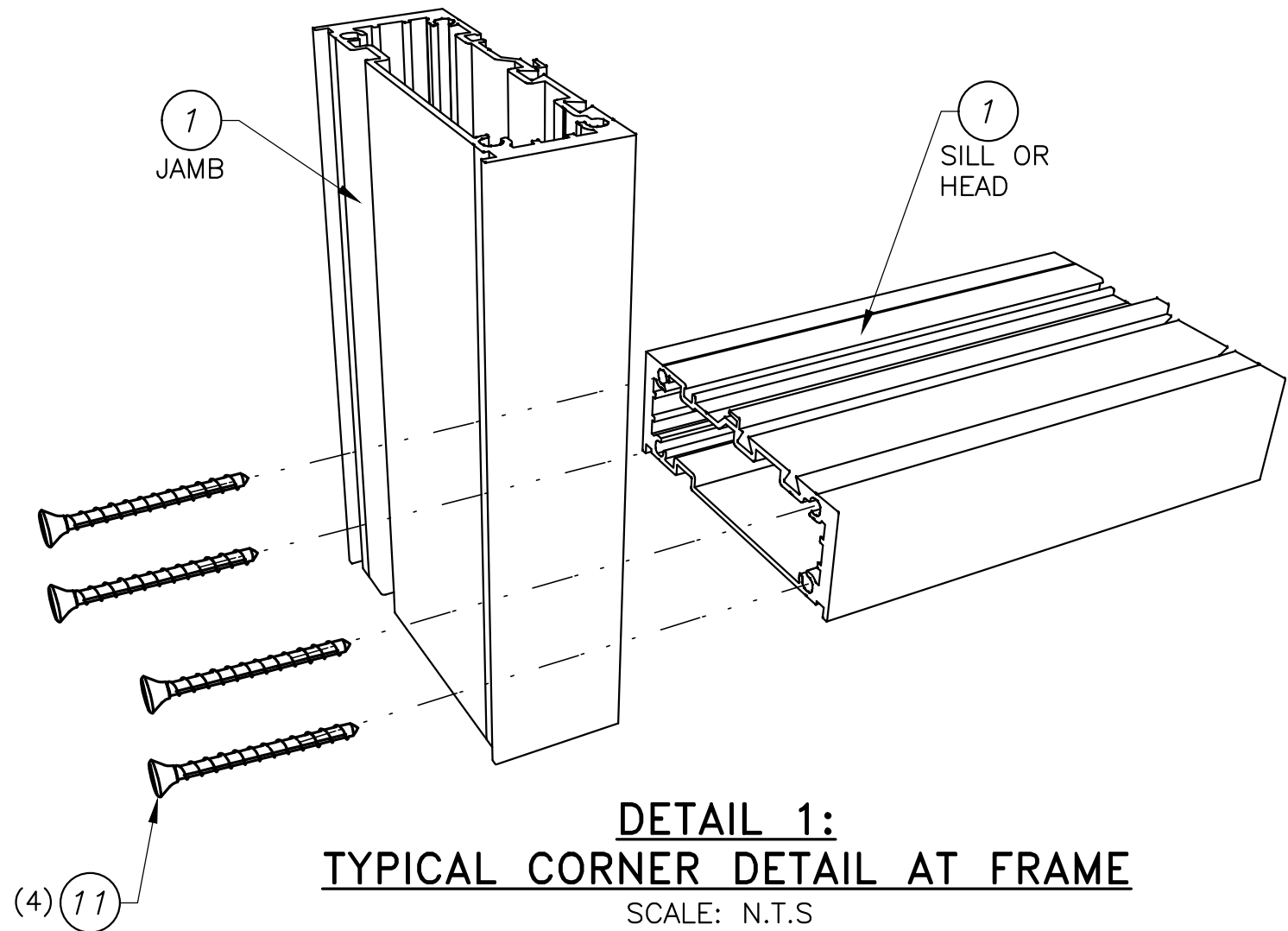
**SECTION B-B (SPECIMEN #1)**  
SCALE: N.T.S

\_\_\_\_\_  
P.E. SEAL/SIGNATURE/DATE

<b>FLORIDA BUILDING CODE (HIGH VELOCITY HURRICANE ZONE)</b>					
© 2025 TILTECO, INC.			<b>TESTING PROTOCOL FOR STOREFRONT HIGH IMPACT SERIES 200</b>		W.H DRAWN BY:
<b>TILTECO Inc.</b>			<b>VITRALUX WINDOWS</b>		04/10/2025 DATE:
TILLIT TESTING & ENGINEERING COMPANY 6355 N.W. 36th. St., Ste. 305, VIRGINIA GARDENS, FL 33166 Phone : (305)871-1530 . Fax : (305)871-1531 CA-0006719 WALTER A. TILLIT Jr. P.E. FLORIDA Lic. # 44167			KM 5.6 VIA PALMIRA TIENDA NUEVA PALMIRA, COLOMBIA.		<b>25-041</b> DRAWING No.
REV. NO	DESCRIPTION	DATE	REV. No	DESCRIPTION	DATE
1	GENERAL	6/9/25	3	-	-
2	(19) & (11) DETAIL	8/11/25	4	-	-
					SHEET 9 OF 10



**SECTION F-F (SPECIMEN #3)**  
SCALE: N.T.S



**DETAIL 1:**  
**TYPICAL CORNER DETAIL AT FRAME**  
SCALE: N.T.S

<b>FLORIDA BUILDING CODE (HIGH VELOCITY HURRICANE ZONE)</b>					
© 2025 TILTECO, INC.			<b>TESTING PROTOCOL FOR STOREFRONT HIGH IMPACT SERIES 200</b>		W.H DRAWN BY:
<b>TILTECO Inc.</b>			<b>VITRALUX WINDOWS</b>		04/10/2025 DATE:
TILLIT TESTING & ENGINEERING COMPANY 6355 N.W. 36th. St., Ste. 305, VIRGINIA GARDENS, FL 33166 Phone : (305)871-1530 . Fax : (305)871-1531 CA-0006719 WALTER A. TILLIT Jr. P.E. FLORIDA Lic. # 44167			KM 5.6 VIA PALMIRA TIENDA NUEVA PALMIRA, COLOMBIA.		<b>25-041</b> DRAWING No.
P.E. SEAL/SIGNATURE/DATE	REV. NO	DESCRIPTION	DATE	REV. No	DESCRIPTION
	1	GENERAL	6/9/25	3	-
	2	(19) & (11) DETAIL	8/11/25	4	-
	SHEET 10 of 10				